

AB-AV-1208 IP65 PUSH BUTTON SWITCH

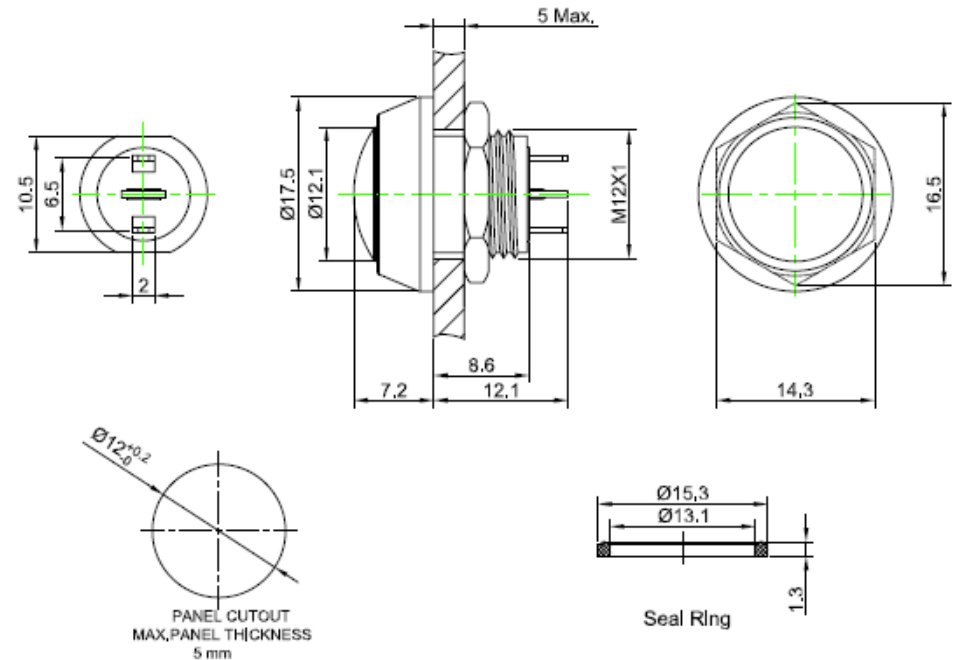
SWITCHES

Specifications

AB-AV-1208

Terminal type	Pin terminal (1.8x0.4mm)
Button colour	White
Switching	Momentary
Panel cut out	12mm
Switch rating	2A/36VDC
Contact resistance	≤50MΩ
Insulation resistance	≥1000MΩ
Dielectric strength	2000V RMS 50Hz
Operating temperature	-25°C~+55°C
Mechanical life	1,000,000 cycles
Electrical life	200,000 cycles
Panel thickness	1~5mm
Torque	0.3Nm Max
Operation pressure	5N approx
Operation travel	2.5mm approx
IP degree	IP65
Material: Contact	Silver alloy
Button/Body	PBT/Zn-Al alloy
Base	PBT

ROHS Compliant



Dimensions Unit: mm



ALAN BUTCHER COMPONENTS LTD

Alan Butcher Components Ltd

Unit 1 Beechwood Clump Farm Industrial Estate Tin Pot Lane Blandford Dorset DT11 7TD

Telephone 01258 456360 Facsimile 01258 459194 Email sales@abcomponents.co.uk

www.abcomponents.co.uk