

AB-AV-1605 IP67 ANTI-VANDAL PUSH BUTTON

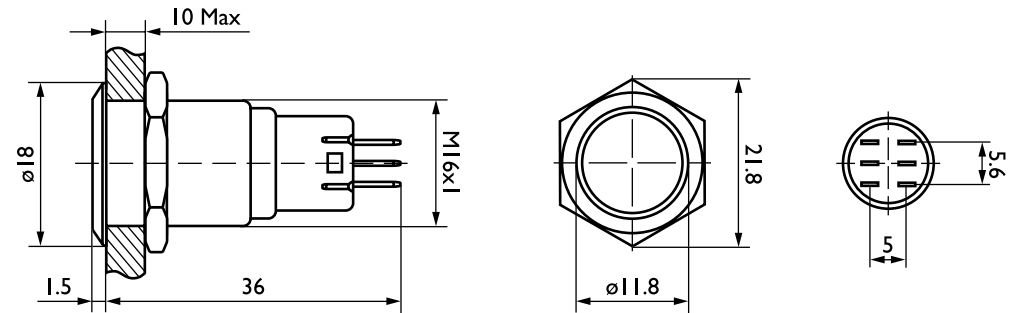
SWITCHES

Specifications

AB-AV-1605

Terminal type	Pin terminals (1.8x0.4mm)
Actuator shape	Flat round
Switching	1NO/1NC Latching
Panel cut out	16mm
Switch rating	3A/250VAC / 1A24VDC
Contact resistance	≤50MΩ
Insulation resistance	≥1000MΩ
Dielectric strength	2000V RMS 50Hz
Operating temperature	-25°C~+55°C
Mechanical life	200,000 cycles
Electrical life	50,000 cycles
Panel thickness	1~10mm
Torque	0.6Nm
Operation pressure	2.5-4N
Operation travel	2.8mm approx
IP degree	IP67
Material: Contact	Silver alloy
Button/Body	Brass (Nickel plated)
Base	PBT

ROHS Compliant



Dimensions Unit: mm



ALAN BUTCHER COMPONENTS LTD

Alan Butcher Components Ltd

Unit 1 Beechwood Clump Farm Industrial Estate Tin Pot Lane Blandford Dorset DT11 7TD

Telephone 01258 456360 Facsimile 01258 459194 Email sales@abcomponents.co.uk

www.abcomponents.co.uk