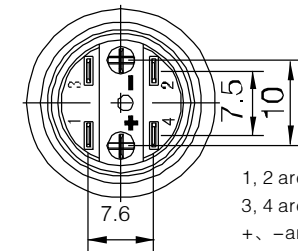
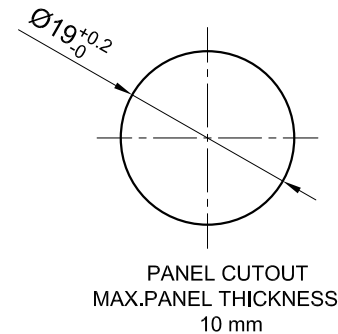
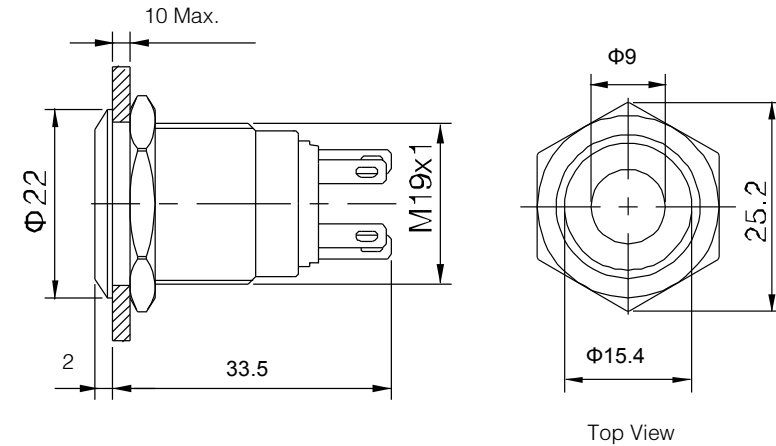


AB-AV-905-N IP67 ANTI-VANDAL PUSH BUTTON (with internal resistor)

SWITCHES

Specifications	AB-AV-905-N
Terminal type	2.8mm fast-on tabs
Switching	1NO/1NC Momentary
Illumination colour	Red
Illumination type	Dot illumination
LED voltage	12V AC/DC
LED current rating	15mA (approx)
Panel cut out	19mm
Switch rating	5A(2) 250VAC / 5A(2) 12/24VDC
Contact resistance	≤50MΩ
Insulation resistance	≥1000MΩ
Dielectric strength	2000VAC
Operating temperature	-20°C~+55°C
Mechanical life	1,000,000 cycles
Electrical life	50,000 cycles
Panel thickness	1~10mm
Torque	0.8Nm max applied to nut
Operation pressure	4N approx
Operation travel	2.5mm approx
IP degree	IP67
Material: Contact	Silver alloy
Button/Body	Stainless steel
Base	PA/PC



1, 2 are normal closed (NC)
3, 4 are normal opened (NO)
+ , - are lamp terminals, the standard LED terminals have no difference of anode and cathode;
The lamp and switch are relatively independent and can use switch or peripheral circuit to control the lamp state

Dimensions Unit: mm

Terminal Arrangement

ROHS Compliant



ALAN BUTCHER COMPONENTS LTD

Alan Butcher Components Ltd

Unit 1 Beechwood Clump Farm Industrial Estate Tin Pot Lane Blandford Dorset DT11 7TD

Telephone 01258 456360 Facsimile 01258 459194 Email sales@abcomponents.co.uk

www.abcomponents.co.uk