

**Specifications**

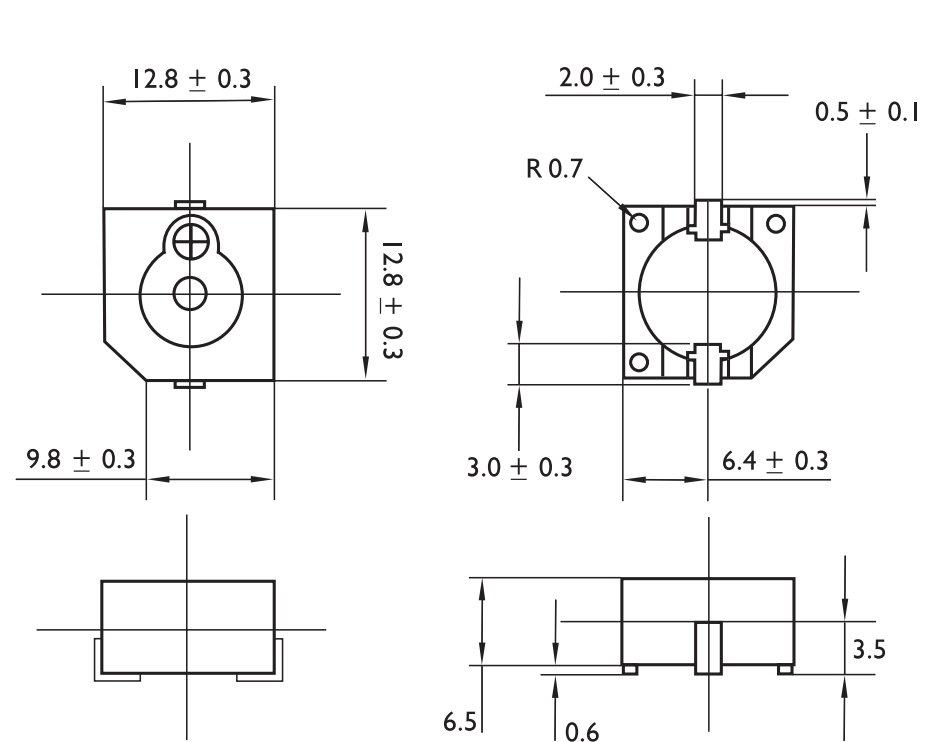
	<b>ABI-017-RC</b>
Rated voltage	5VDC
Operating voltage	4~7VDC
Rated current*	≤30mA
Sound output at 10cm*	≥88dB
Resonant frequency	2400±400Hz
Tone	Continuous
Operating temperature	-20~+70°C
Storage temperature	-30~+80°C
Weight	2g

\*Value applying at rated voltage (DC)

**Features**

- ROHS compliant
- Reflow solderable and washable
- Compact surface mount indicator
- Housing material: PPS
- Pin material: Brass
- With internal drive circuit

All data at 25°C unless otherwise specified



**Dimensions** Unit: mm Tolerance: ±0.5mm



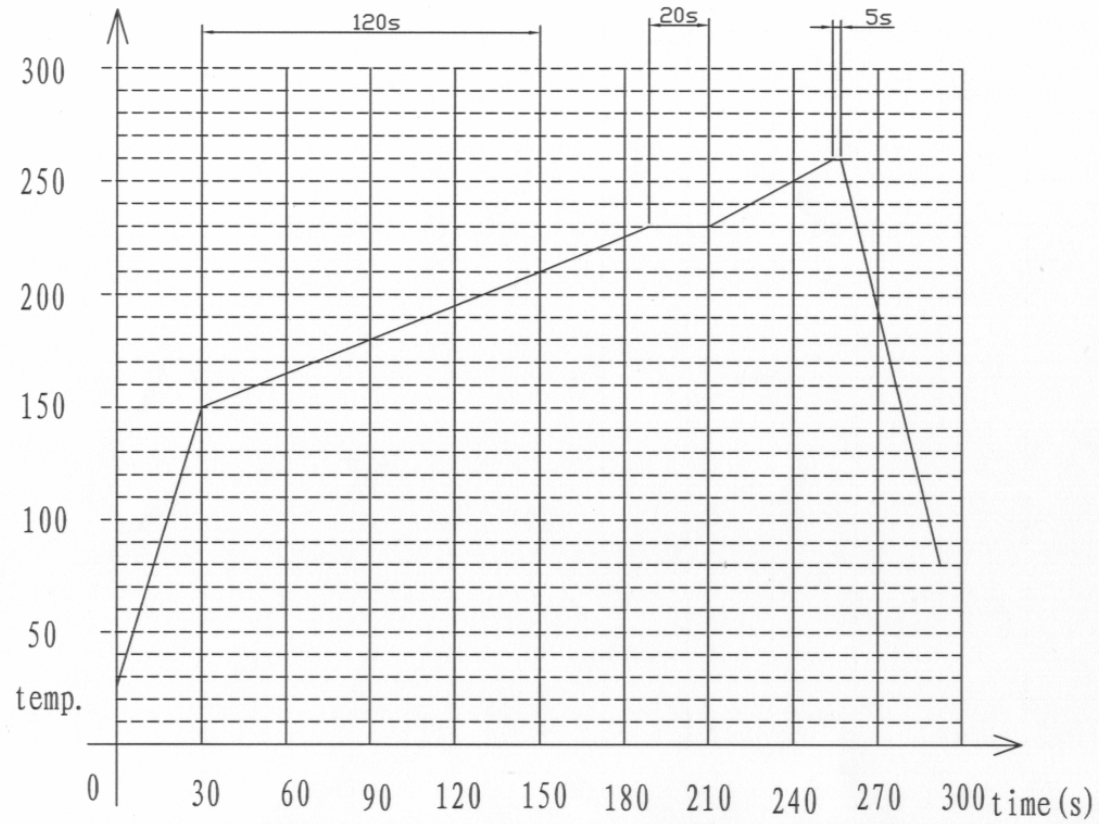
ALAN BUTCHER COMPONENTS LTD

**Alan Butcher Components Ltd**

Unit 1 Beechwood Clump Farm Industrial Estate Tin Pot Lane Blandford Dorset DT11 7TD

Telephone 01258 456360 Facsimile 01258 459194 Email sales@abcomponents.co.uk

[www.abcomponents.co.uk](http://www.abcomponents.co.uk)



ALAN BUTCHER COMPONENTS LTD

**Alan Butcher Components Ltd**

Unit 1 Beechwood Clump Farm Industrial Estate Tin Pot Lane Blandford Dorset DT11 7TD

Telephone 01258 456360 Facsimile 01258 459194 Email [sales@abcomponents.co.uk](mailto:sales@abcomponents.co.uk)

[www.abcomponents.co.uk](http://www.abcomponents.co.uk)