

**Specifications**

**ABI-019-RC**

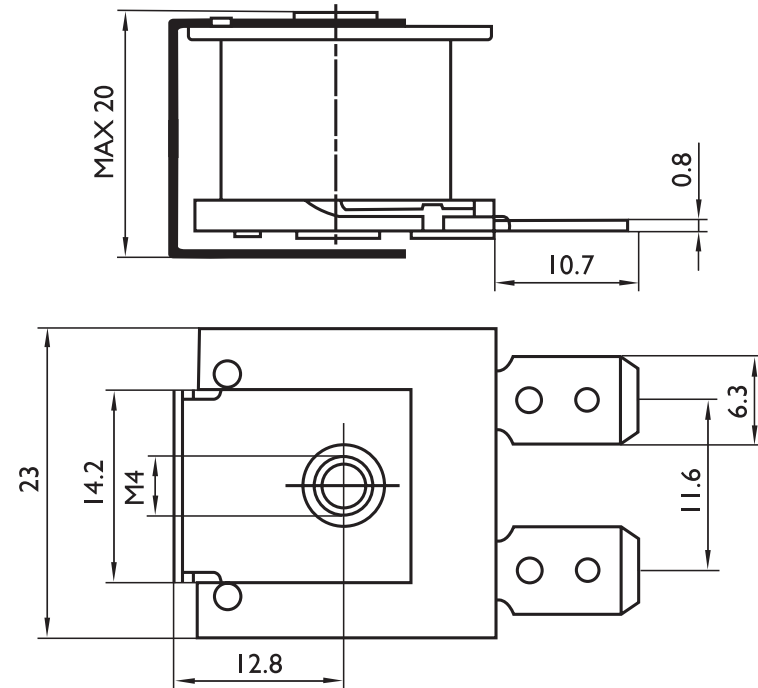
Rated voltage	220VAC
Operating voltage	160~260VAC
Rated current*	≤30mA
Sound output at 10cm*	≥80dB
Coil resistance	6500Ω±10%
Operating temperature	-20~+60°C
Storage temperature	-30~+70°C
Weight	18g

\*Value applying at rated voltage (DC)

**Features**

- ROHS compliant
- Suitable for applications where the only supply available is 240V mains
- Fixing via a 4mm screw
- Housing material: PBT
- Tab material: Brass

All data at 25°C unless otherwise specified



**Dimensions** Unit: mm Tolerance: ±0.5mm



ALAN BUTCHER COMPONENTS LTD

**Alan Butcher Components Ltd**

Unit 1 Beechwood Clump Farm Industrial Estate Tin Pot Lane Blandford Dorset DT11 7TD

Telephone 01258 456360 Facsimile 01258 459194 Email sales@abcomponents.co.uk

[www.abcomponents.co.uk](http://www.abcomponents.co.uk)