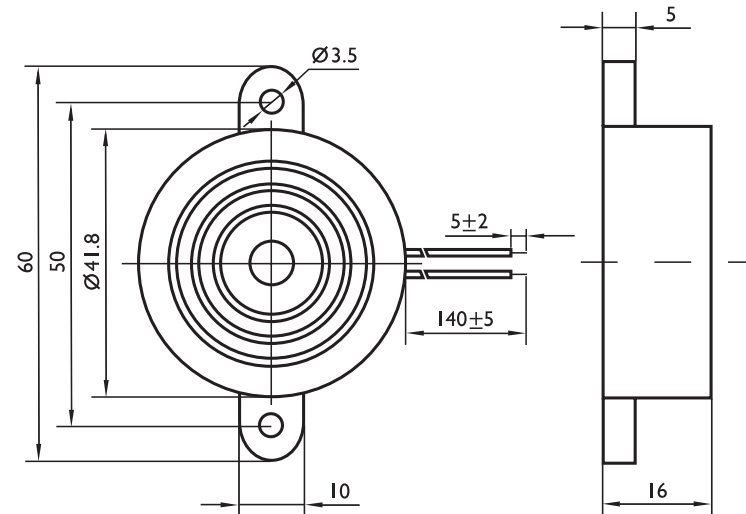


**Specifications**

**ABI-023-RC**

Rated voltage	12VDC
Operating voltage	3~20VDC
Rated current*	≤10mA
Sound output at 30cm*	≥96dB
Resonant frequency	2800±500Hz
Tone	Continuous
Operating temperature	-20~+60°C
Storage temperature	-30~+70°C
Lead wire	UL1007 AWG28
Weight	15g

\*Value applying at rated voltage (DC)



**Dimensions** Unit: mm Tolerance: ±0.5mm

**Features**

- ROHS compliant
- Black in colour
- Flange mounted with wire leads
- Housing material: ABS
- With internal circuit drive

All data at 25°C unless otherwise specified



ALAN BUTCHER COMPONENTS LTD

**Alan Butcher Components Ltd**

Unit 1 Beechwood Clump Farm Industrial Estate Tin Pot Lane Blandford Dorset DT11 7TD

Telephone 01258 456360 Facsimile 01258 459194 Email sales@abcomponents.co.uk

[www.abcomponents.co.uk](http://www.abcomponents.co.uk)