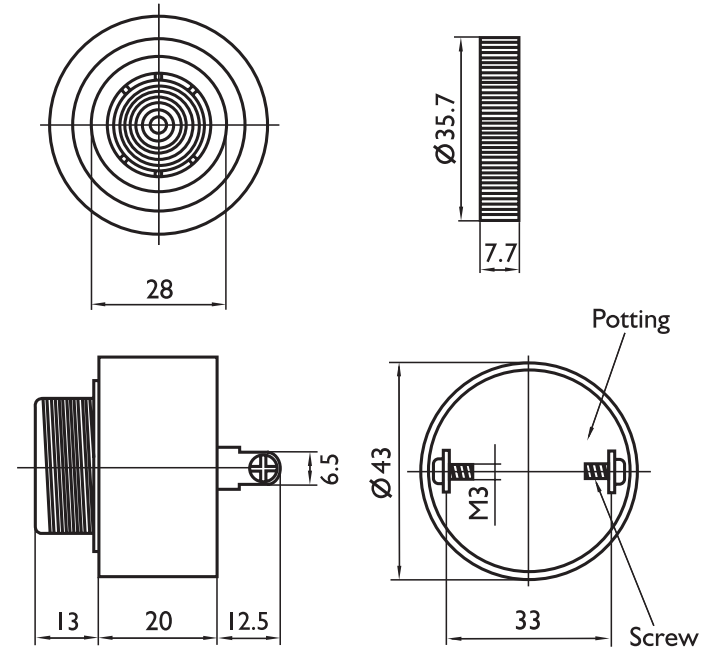


Specifications

ABI-025-RC

Operating voltage	6~28VDC
Rated current*	≤6mA/12V
Sound output at 30cm*	≥88dB/12V
Resonant frequency	2900±500Hz
Tone	Fast pulse
Operating temperature	-20~+60°C
Storage temperature	-30~+70°C
Weight	43g

*Value applying at rated voltage (DC)



Features

- ROHS compliant
- Black in colour
- With internal drive circuit
- Panel mounted
- Housing material: ABS

All data at 25°C unless otherwise specified

Dimensions Unit: mm Tolerance: ±0.5mm



ALAN BUTCHER COMPONENTS LTD

Alan Butcher Components Ltd

Unit 1 Beechwood Clump Farm Industrial Estate Tin Pot Lane Blandford Dorset DT11 7TD

Telephone 01258 456360 Facsimile 01258 459194 Email sales@abcomponents.co.uk

www.abcomponents.co.uk