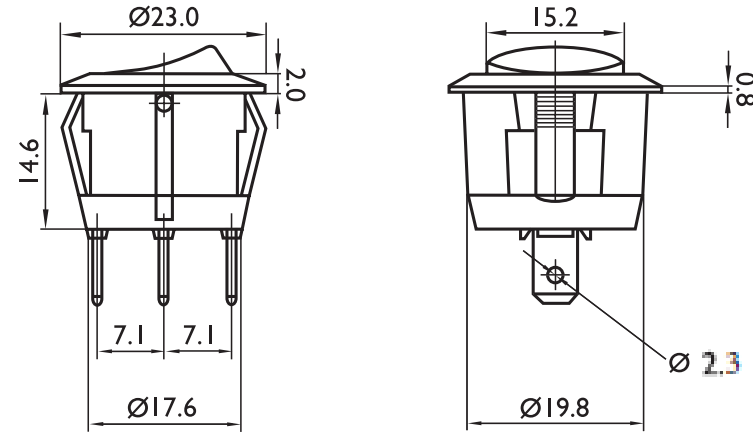


ABRR011 ROUND ROCKER SWITCH

SWITCHES

Specifications

	ABRR011
Rating	12VDC 10A
Colour	Black body/Red illuminated
Switch action	SP On-off
Maximum contact resistance	30MΩ
Minimum insulation resistance	500VDC 100MΩ
Electrical life	10,000 cycles
Lamp life	approx. 2,000 hours
Operation force	300-600gf
Operating temperature	-25°C~125°C

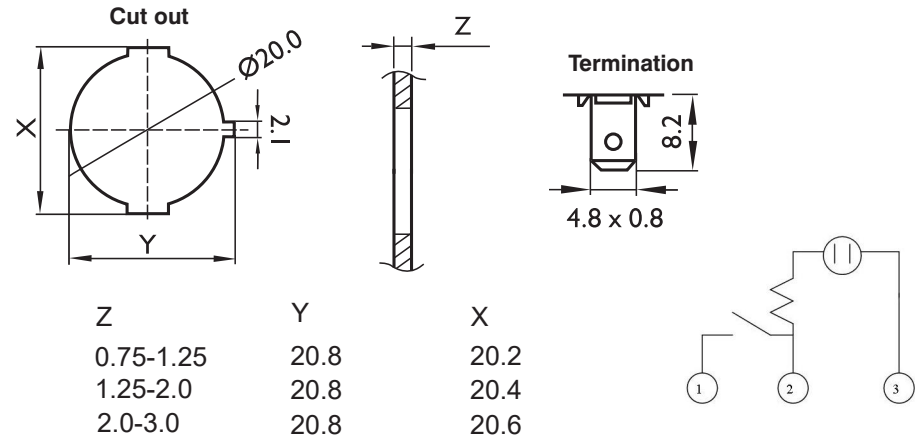


Approval VDE, UL

Double pole versions available

Features

- ROHS compliant
- Housing material: Nylon #66
UL 94V-2
- Rocker material: PC UL
94HB
- Terminal material:
Copper alloy SN or AG plated
- Contact material: AgNi (15)
Alloy
- Lamp - Tungsten



Alan Butcher Components Ltd

Unit 1 Beechwood Clump Farm Industrial Estate Tin Pot Lane Blandford Dorset DT11 7TD

Telephone 01258 456360 Facsimile 01258 459194 Email sales@abcomponents.co.uk

www.abcomponents.co.uk