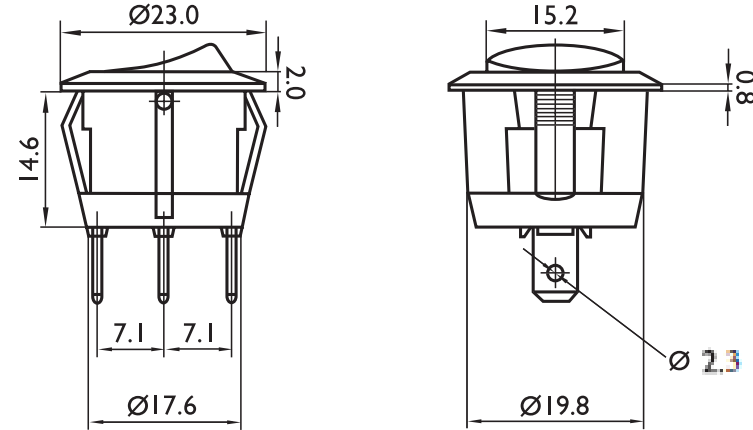


ABRR014 ROUND ROCKER SWITCH

SWITCHES

Specifications

		ABRR014
Rating		24VDC 10A
Colour		Black body/Green illuminated
Switch action		SP On-off
Maximum contact resistance		30MΩ
Minimum insulation resistance		500VDC 100MΩ
Electrical life		10,000 cycles
Lamp life		approx. 2,000 hours
Operation force		300-600gf
Operating temperature		-25°C~125°C

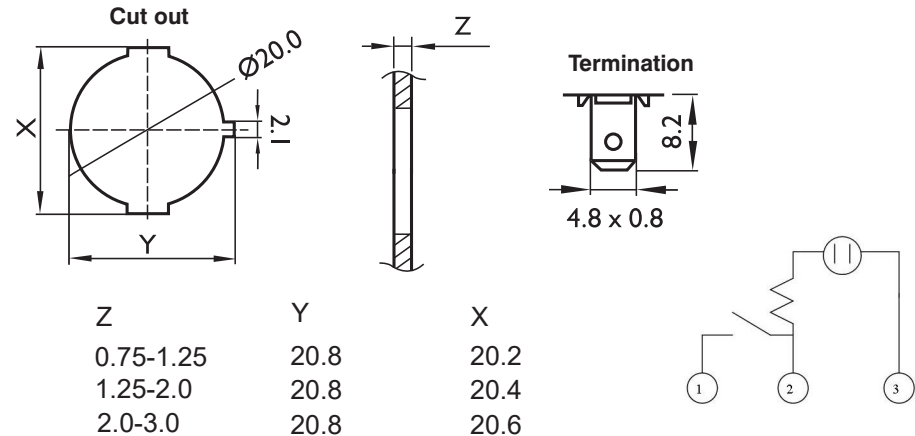


Approval VDE, UL

Double pole versions available

Features

- ROHS compliant
- Housing material: Nylon #66 UL 94V-2
- Rocker material: PC UL 94HB
- Terminal material: Copper alloy SN or AG plated
- Contact material: AgNi (15) Alloy
- Lamp - Tungsten



Alan Butcher Components Ltd

Unit 1 Beechwood Clump Farm Industrial Estate Tin Pot Lane Blandford Dorset DT11 7TD

Telephone 01258 456360 Facsimile 01258 459194 Email sales@abcomponents.co.uk

www.abcomponents.co.uk