

# ABRR028 ROUND INDICATOR LAMP

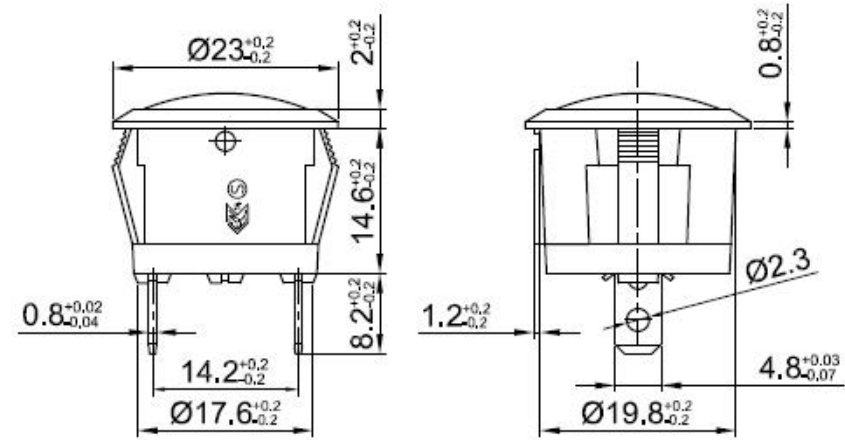
# SIGNAL LAMPS

## Specifications

Lamp Rating	12VDC
Colour	All Black with Green Indicator Lamp
Contact Resistance	30MΩ max
Insulation Resistance	500VDC 100MΩ min
Operating Temperature	-25°C~125°C

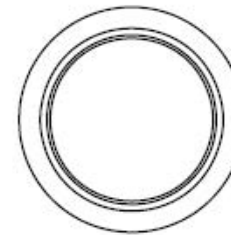
Approval VDE, UL

## ABRR028



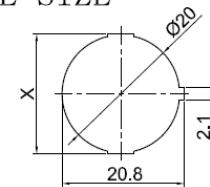
## Features

- ROHS compliant
- Housing material: Nylon #66 UL 94V-2
- Terminal material: Copper alloy SN or AG plated
- Lens material: PC UL 94HB



## PANEL HOLE SIZE

Panel thickness	X
0.75-1.25	20.2
1.25-2.0	20.4
2.0-3.0	20.6



ALAN BUTCHER COMPONENTS LTD

## Alan Butcher Components Ltd

Unit 1 Beechwood Clump Farm Industrial Estate Tin Pot Lane Blandford Dorset DT11 7TD

Telephone 01258 456360 Facsimile 01258 459194 Email sales@abcomponents.co.uk

[www.abcomponents.co.uk](http://www.abcomponents.co.uk)