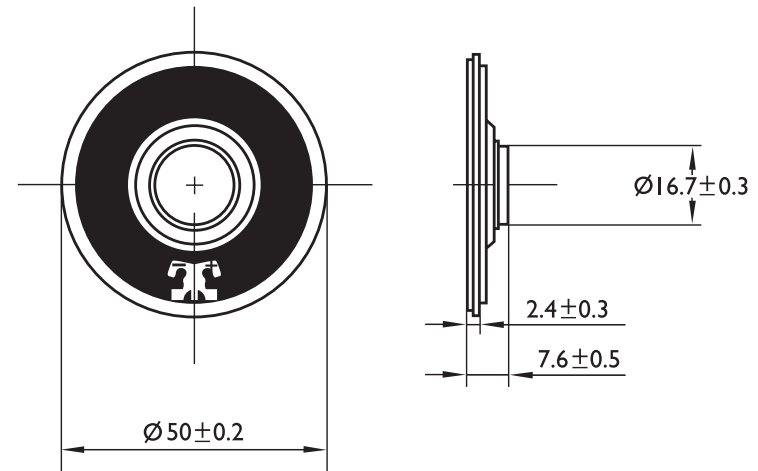


Specifications	ABS-210-RC
Rated impedance	8±15%Ω
Nominal power	1.0W
Maximum power	1.5W
Resonant frequency	350±20%Hz
Frequency range	F 0-20,000Hz
Sound pressure level at 0.1W/0.1m	94±3dB
Magnet NdFeB	∅12.5x1.5mm
Operating temperature	-10~+40°C
Storage temperature	-20~+60°C
Weight	13.2g±5%



### Features

- ROHS compliant
- Clear mylar cone speaker
- Low profile

All data at 25°C unless otherwise specified

Dimensions Unit: mm



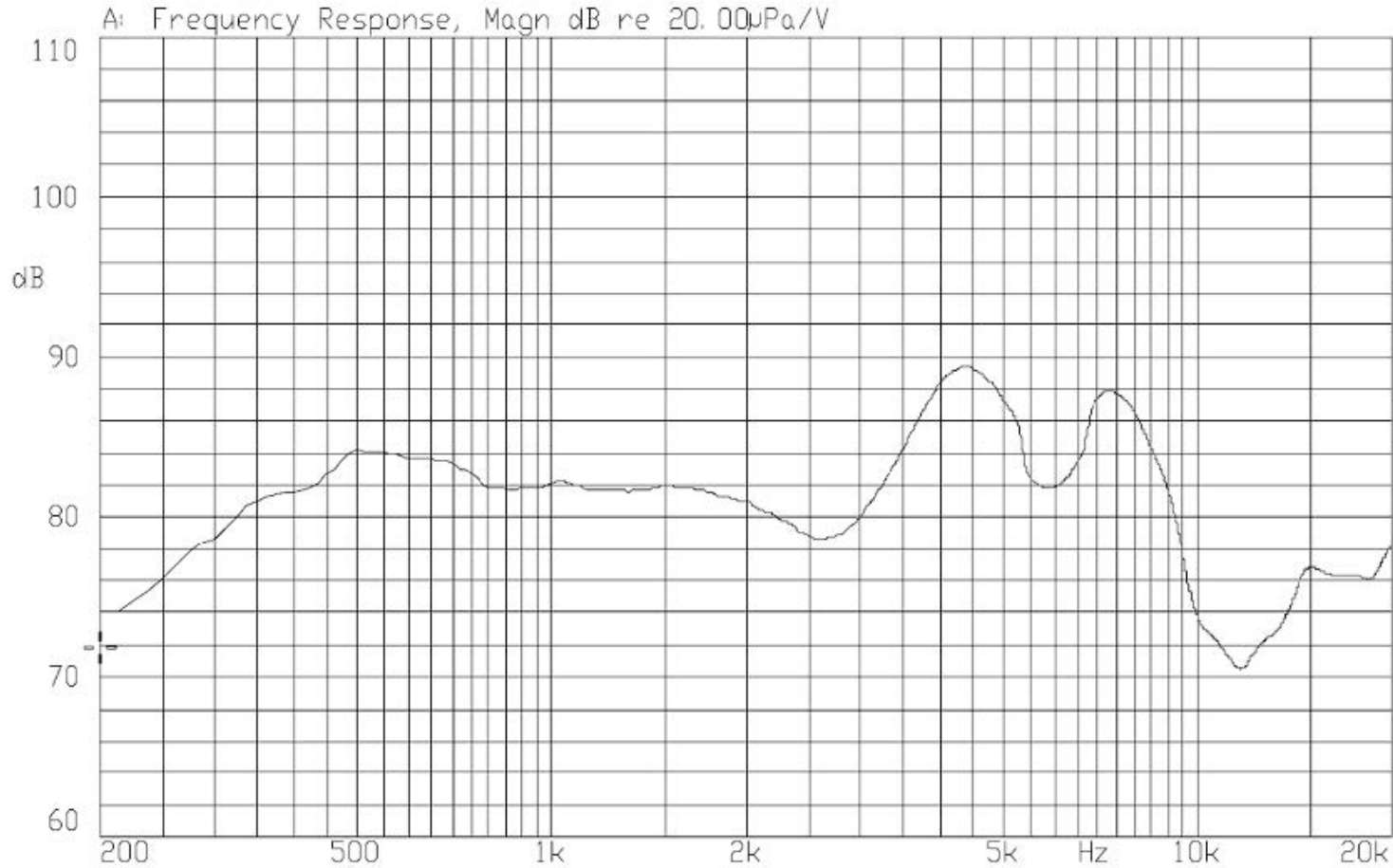
ALAN BUTCHER COMPONENTS LTD

**Alan Butcher Components Ltd**

Unit 1 Beechwood Clump Farm Industrial Estate Tin Pot Lane Blandford Dorset DT11 7TD

Telephone 01258 456360 Facsimile 01258 459194 Email [sales@abcomponents.co.uk](mailto:sales@abcomponents.co.uk)

[www.abcomponents.co.uk](http://www.abcomponents.co.uk)



ALAN BUTCHER COMPONENTS LTD

**Alan Butcher Components Ltd**

Unit 1 Beechwood Clump Farm Industrial Estate Tin Pot Lane Blandford Dorset DT11 7TD

Telephone 01258 456360 Facsimile 01258 459194 Email [sales@abcomponents.co.uk](mailto:sales@abcomponents.co.uk)

[www.abcomponents.co.uk](http://www.abcomponents.co.uk)