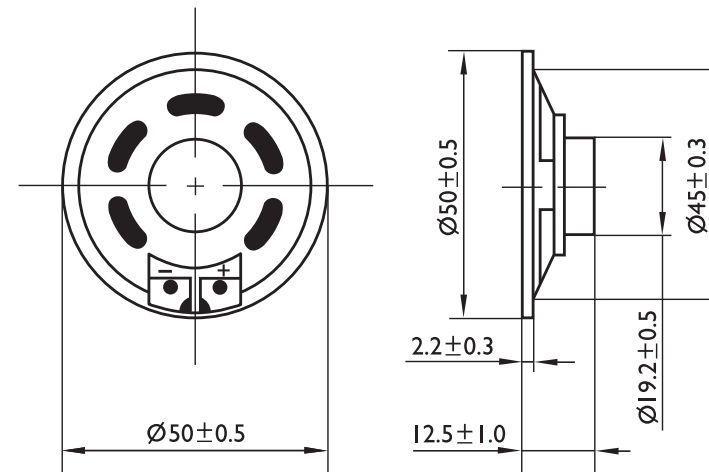


Specifications

ABS-215-RC

Rated impedance	8±15%Ω
Nominal power	1.5W
Maximum power	2.0W
Resonant frequency	550±20%Hz
Frequency range	F 0-20KHz
Sound pressure level at 0.1W/0.5m	89±3dB
Speaker size	ø50mm
Magnet material	Nd-Fe-B
Magnet size	ø12.5x2.5mm
Operating temperature	-20°C~+60°C
Storage temperature	-30°C~+70°C
Weight	18g±5%

The Mylar cone and gasket make this product suitable for applications where there is a possibility of water ingress. The ABS-215-RC is used within a variety of applications including door entry systems, external communication units, nurse call systems and public transport products.



Features

- ROHS compliant
- Cone material: Clear mylar
- Housing material: Metal

All data at 25°C unless otherwise specified

Dimensions Unit: mm



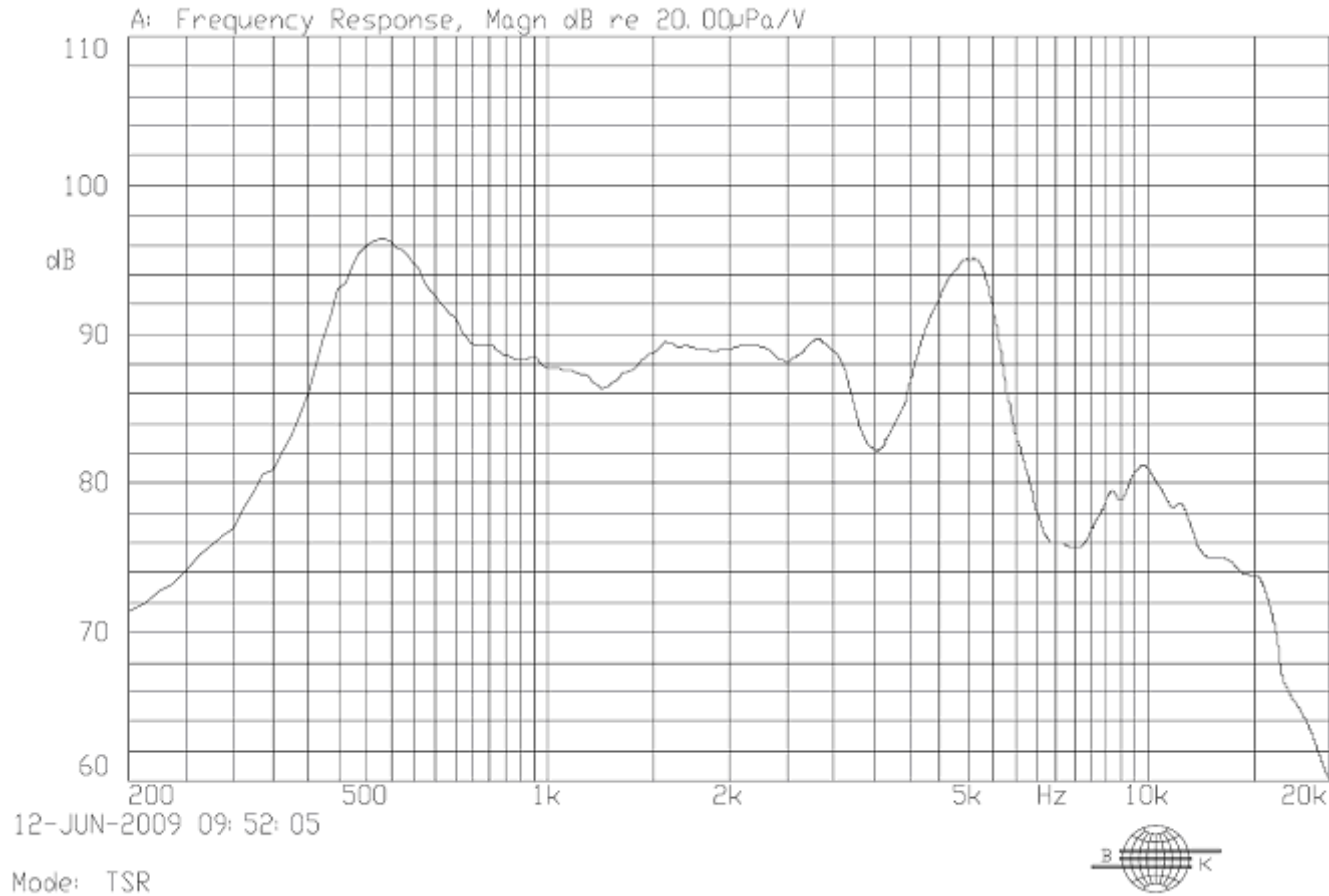
ALAN BUTCHER COMPONENTS LTD

Alan Butcher Components Ltd

Unit 1 Beechwood Clump Farm Industrial Estate Tin Pot Lane Blandford Dorset DT11 7TD

Telephone 01258 456360 Facsimile 01258 459194 Email sales@abcomponents.co.uk

www.abcomponents.co.uk



ALAN BUTCHER COMPONENTS LTD

Alan Butcher Components Ltd

Unit 1 Beechwood Clump Farm Industrial Estate Tin Pot Lane Blandford Dorset DT11 7TD

Telephone 01258 456360 Facsimile 01258 459194 Email sales@abcomponents.co.uk

www.abcomponents.co.uk