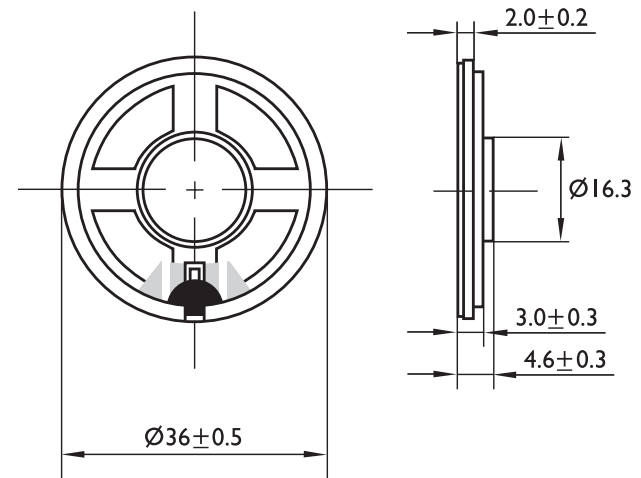


**Specifications**

**ABS-228-RC**

Rated impedance	150±15%Ω
Rated power	0.1W
Maximum power	0.2W
Resonant frequency	500±20%Hz(f0)
Rated frequency range	f0~11KHz
Rated sound pressure level at 0.1W/0.1M	93±3dB
Cone material	Mylar
Magnet material: nd-fe-b	12.5x1.5mm
Operating temperature	-20°~+60°C
Storage temperature	-30°~+60°C
Weight	8.25g



**Features**

- ROHS compliant
- Very low profile
- Mylar speaker
- 36mm diameter

All data at 25°C unless otherwise specified

**Dimensions** Unit: mm



ALAN BUTCHER COMPONENTS LTD

**Alan Butcher Components Ltd**

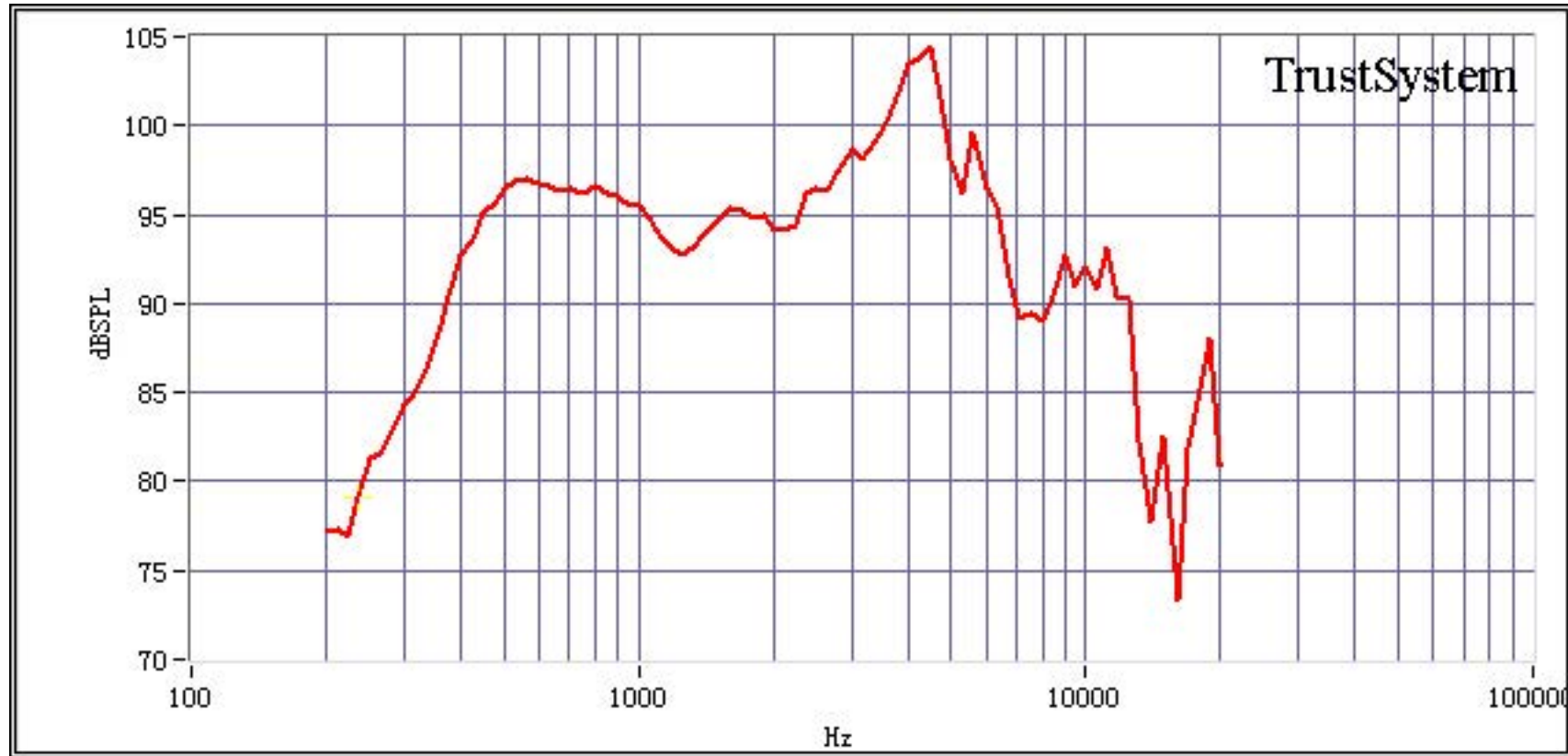
Unit 1 Beechwood Clump Farm Industrial Estate Tin Pot Lane Blandford Dorset DT11 7TD

Telephone 01258 456360 Facsimile 01258 459194 Email sales@abcomponents.co.uk

[www.abcomponents.co.uk](http://www.abcomponents.co.uk)

## ABS-228-RC SPEAKER - FREQUENCY RESPONSE CURVE

SPEAKERS



ALAN BUTCHER COMPONENTS LTD

**Alan Butcher Components Ltd**

Unit 1 Beechwood Clump Farm Industrial Estate Tin Pot Lane Blandford Dorset DT11 7TD

Telephone 01258 456360 Facsimile 01258 459194 Email [sales@abcomponents.co.uk](mailto:sales@abcomponents.co.uk)

[www.abcomponents.co.uk](http://www.abcomponents.co.uk)