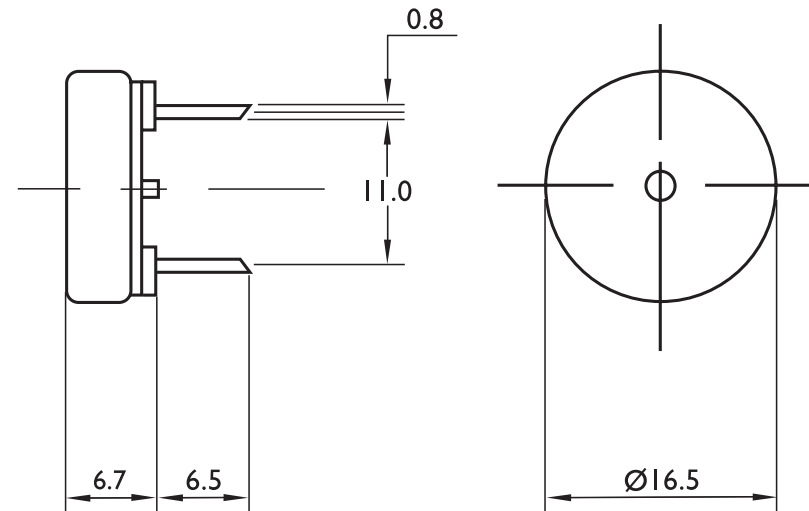


### Specifications

### ABT-405-RC

Rated voltage (Vp-p square wave)	3Vp-p
Operating voltage	1~30Vp-p
Rated current at rated voltage	≤1mA
Capacitance	10000±30%pF
Sound output at 4000Hz at 10cm	≥75dB
Resonant frequency	4000±500Hz
Operating temperature	-20~+70°C
Storage temperature	-30~+80°C
Weight	1g

Requires additional electronic circuitry to operate as a sounder



**Dimensions** Unit: mm Tolerance: ±0.5mm

### Features

- ROHS compliant
- Black in colour
- Low current consumption
- Pin material: Beryllium bronze
- Housing material: Noryl
- Low profile

All data at 25°C unless otherwise specified



ALAN BUTCHER COMPONENTS LTD

### Alan Butcher Components Ltd

Unit 1 Beechwood Clump Farm Industrial Estate Tin Pot Lane Blandford Dorset DT11 7TD

Telephone 01258 456360 Facsimile 01258 459194 Email sales@abcomponents.co.uk

[www.abcomponents.co.uk](http://www.abcomponents.co.uk)