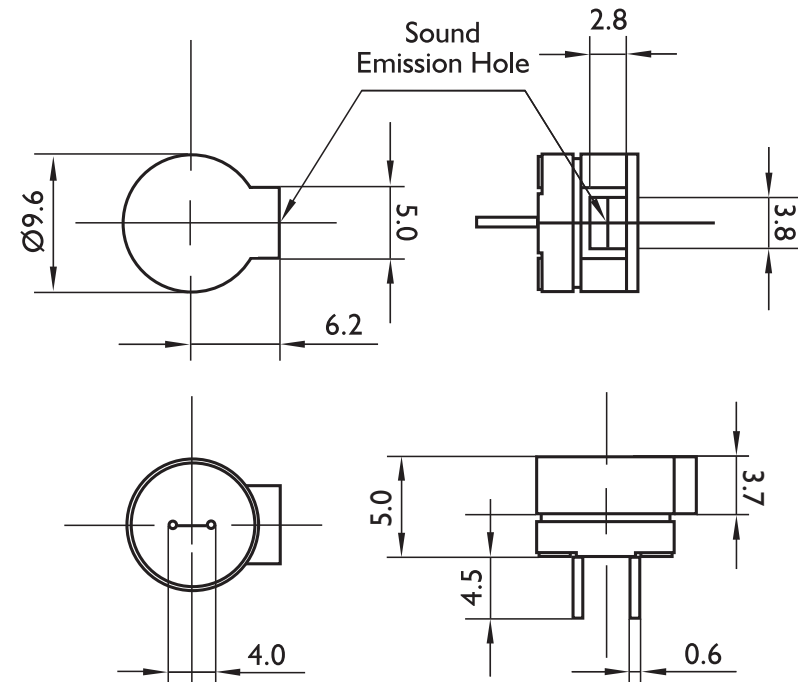


Specifications

ABT-412-RC

Rated voltage	1.5Vp-p
Operating voltage	1~3Vp-p
Rated current*	≤80mA
Sound output at 10cm*	≥85dB
Resonant frequency	2731Hz
Coil resistance	5.5±1Ω
Operating temperature	-30~+70°C
Storage temperature	-40~+80°C
Weight	1g

* Value applying at rated voltage
Requires additional electronic circuitry to operate as a sounder.



Dimensions Unit: mm Tolerance: ±0.5mm

Features

- ROHS compliant
- Black in colour
- Wave solder and wash NOT allowed
- Housing material: Noryl

All data at 25°C unless otherwise specified



ALAN BUTCHER COMPONENTS LTD

Alan Butcher Components Ltd

Unit 1 Beechwood Clump Farm Industrial Estate Tin Pot Lane Blandford Dorset DT11 7TD

Telephone 01258 456360 Facsimile 01258 459194 Email sales@abcomponents.co.uk

www.abcomponents.co.uk