

ABS-237-RC 9x16x3.0t 8OHM SPEAKER

SPEAKERS

Specifications

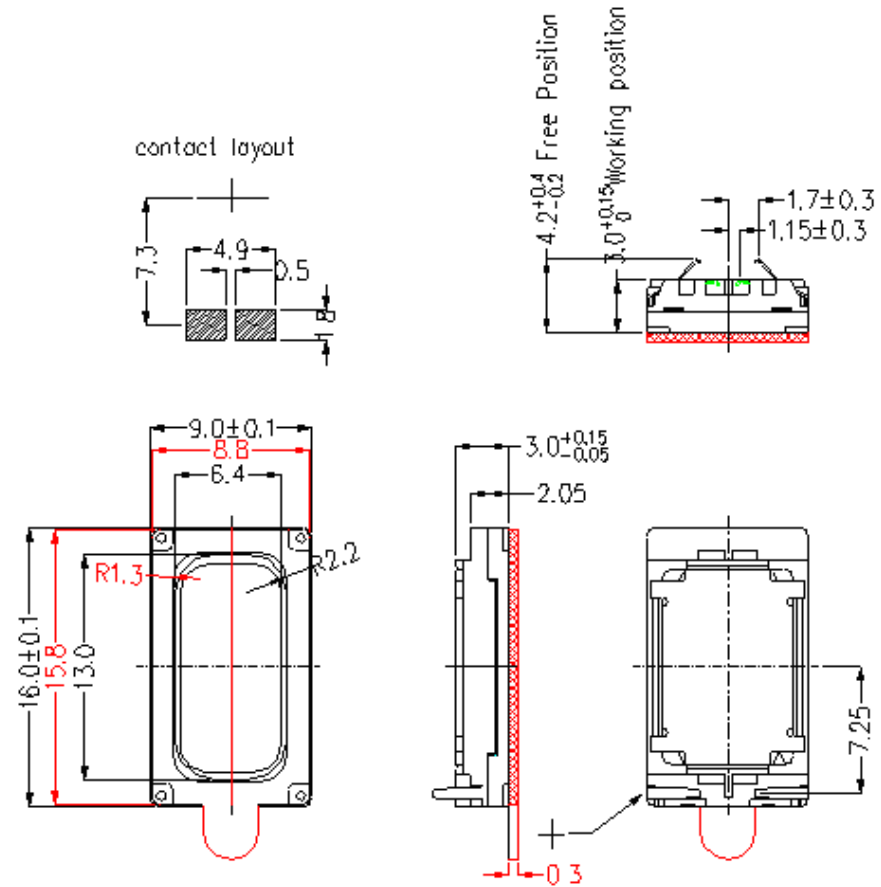
	ABS-237-RC
Rated impedance	8±15%Ω
Rated input power	0.7W
Maximum input power	1.0W
Resonant frequency at 2.0Vrms/0.1m in 1cc box	850±20%Hz
Frequency range	FoHz -10,000Hz
Sound pressure level at 2.0Vrms/0.1m at 2.0kHz	88±3dB
Total harmonic distortion at 1KHz, 2.0Vrms/0.1m	10%Max
Flux density	0.4T
Operating temperature	-30~+70°C
Storage temperature	-40~+85°C
Weight	1.5g

Material

Frame - PBT	Plate - SPCC
Yoke - SPCC	Magnet - NdFeB
Diaphragm - PEEK	Front Cover - PBT
Voice coil - Copper Wire	Spring Terminal x 2 - SUS

Features

Adhesive tape for easy mounting.
Spring contacts for a solderless electrical connection.



Dimensions Unit: mm



ALAN BUTCHER COMPONENTS LTD

Alan Butcher Components Ltd

Unit 1 Beechwood Clump Farm Industrial Estate Tin Pot Lane Blandford Dorset DT11 7TD

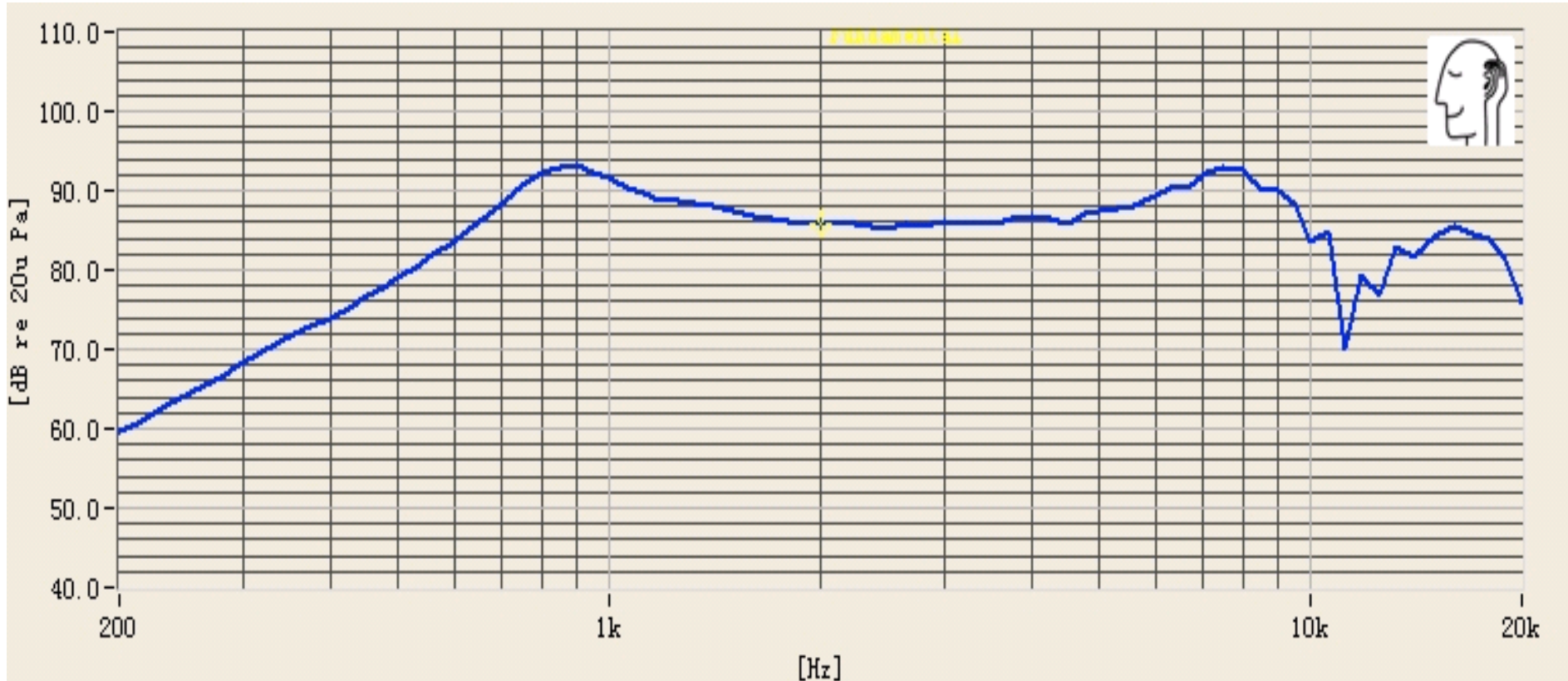
Telephone 01258 456360 Facsimile 01258 459194 Email sales@abcomponents.co.uk

www.abcomponents.co.uk

ABS-237-RC 9x16x3.0t 8OHM SPEAKER - Frequency Response Curve

SPEAKERS

2.0Vrms/10cm in 1cc box



ALAN BUTCHER COMPONENTS LTD

Alan Butcher Components Ltd

Unit 1 Beechwood Clump Farm Industrial Estate Tin Pot Lane Blandford Dorset DT11 7TD

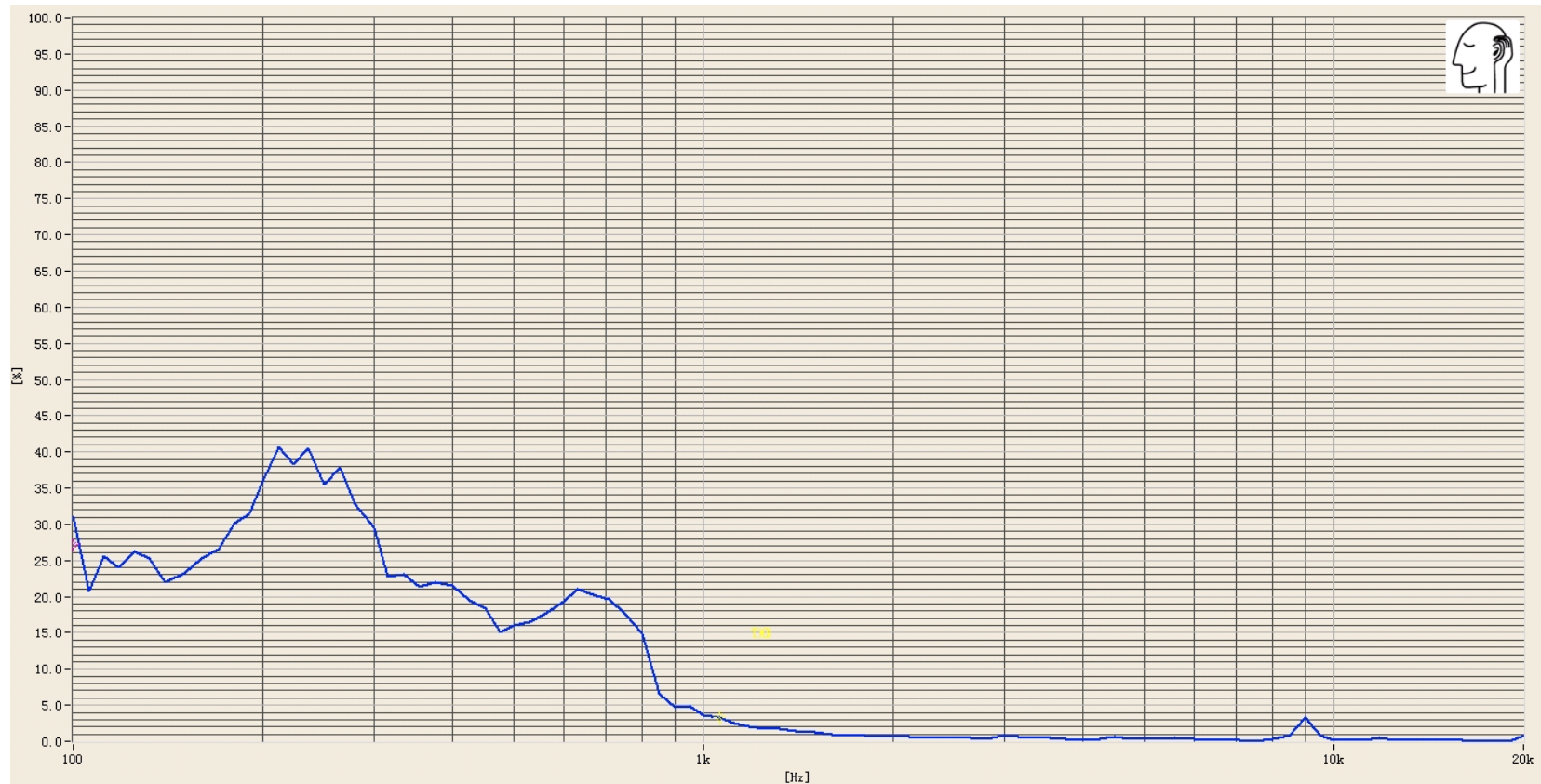
Telephone 01258 456360 Facsimile 01258 459194 Email sales@abcomponents.co.uk

www.abcomponents.co.uk

ABS-237-RC 9x16x3.0t 8OHM SPEAKER - Speaker Distortion Curve

SPEAKERS

2.0Vrms/10cm in 1cc box



ALAN BUTCHER COMPONENTS LTD

Alan Butcher Components Ltd

Unit 1 Beechwood Clump Farm Industrial Estate Tin Pot Lane Blandford Dorset DT11 7TD

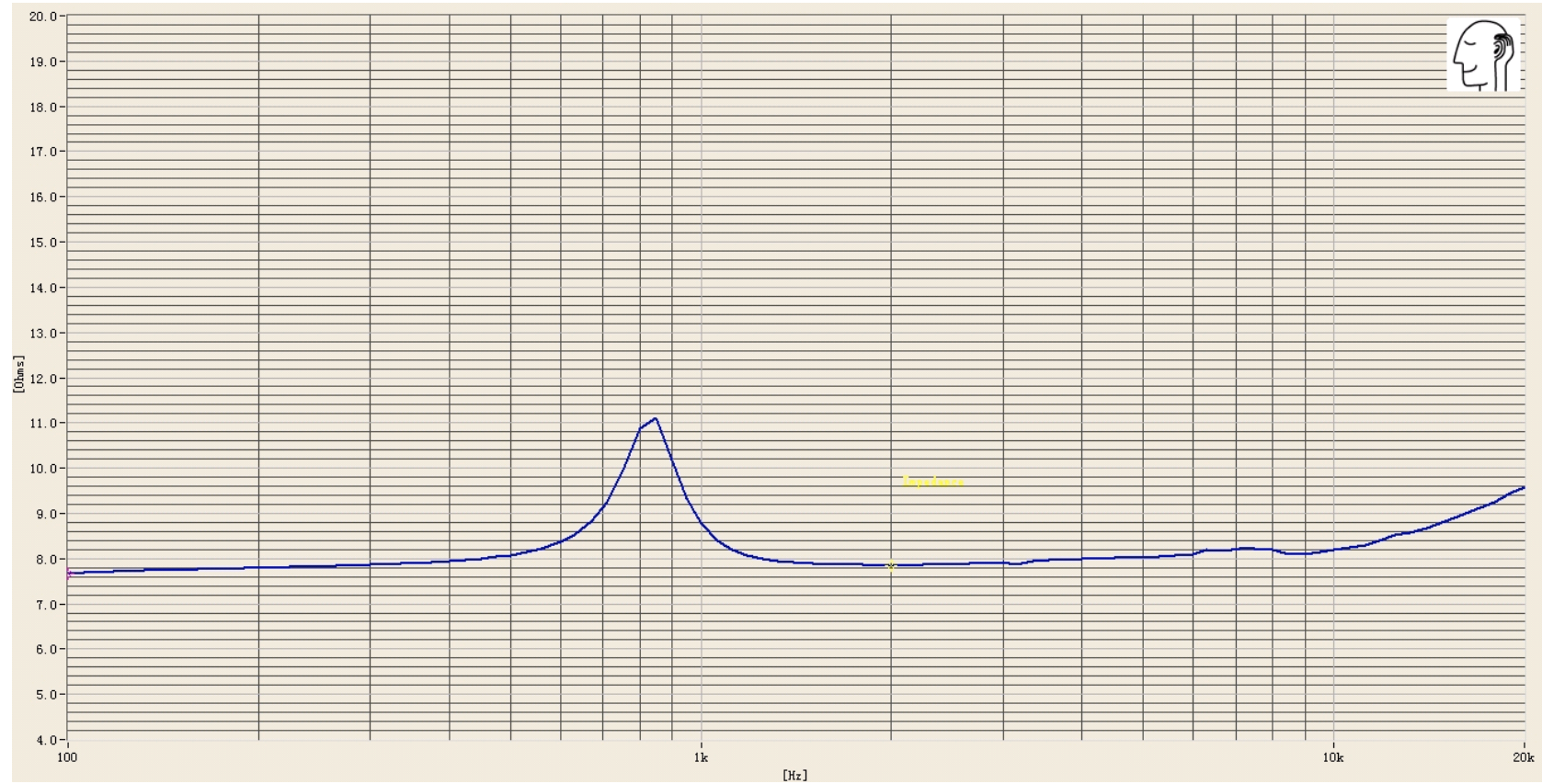
Telephone 01258 456360 Facsimile 01258 459194 Email sales@abcomponents.co.uk

www.abcomponents.co.uk

ABS-237-RC 9x16x3.0t 8OHM SPEAKER - Impedance Response Curve

SPEAKERS

2.0Vrms/10cm



Alan Butcher Components Ltd

Unit 1 Beechwood Clump Farm Industrial Estate Tin Pot Lane Blandford Dorset DT11 7TD

Telephone 01258 456360 Facsimile 01258 459194 Email sales@abcomponents.co.uk

www.abcomponents.co.uk