

PLS-051B-6PPI



PLS-051B-6PPI

Power Level Sensor


Electrical Characteristics		@ 25 °C
Contact form		B
Contact rating max.	W / VA	50
Switching voltage max.	VDC	200
	VAC	250
Switching current max.	A	1.5
Carry current max.	A	2
Breakdown voltage min.	VDC	400
Total resistance max.	mΩ	280

Features
<ul style="list-style-type: none"> > Mains voltage variant > POM housing > Not ESD sensitive

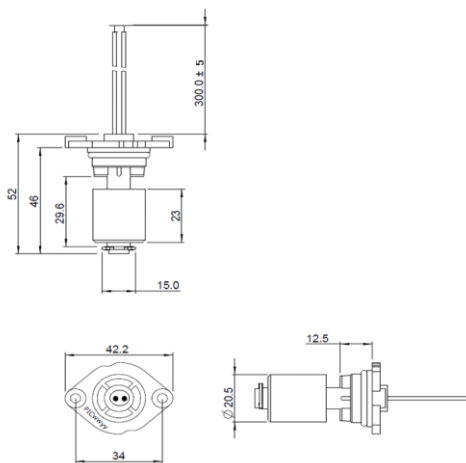
Environmental Characteristics		
Operating temperature	°C	-20 to +80
Storage temperature	°C	-30 to +80

Mechanical Characteristics		
Density of float typ.*	g / cm ³	0.8
Recommended minimum gravity of medium	g / cm ³	Density of float + 20%

* in delivery condition

Approvals



Dimensions in mm



© PIC GmbH

Ordering Information		
Packing Unit	10	pcs
Weight per piece	17.25	g
Weight per package	185	g

PLS-051B-6PPI



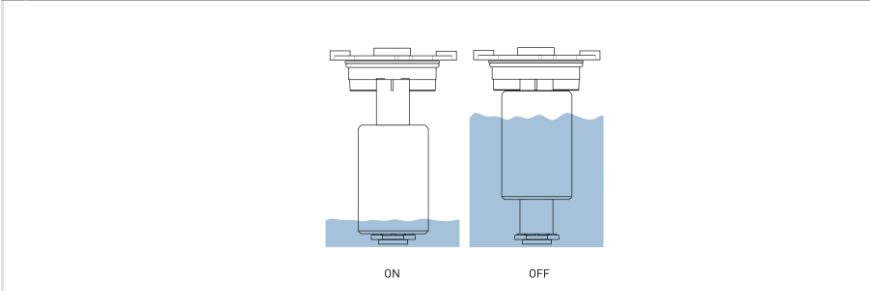
PLS-051B-6PPI

Power Level Sensor

Material Information

	Material	Colour
Housing	POM	white
Cable	UL 1007, AWG 22, 4 mm stripped and tinned	white
Float	PP foam	white
Sealing ring	Silicone	brown
Potting	PU / Epoxy	black

Operation View

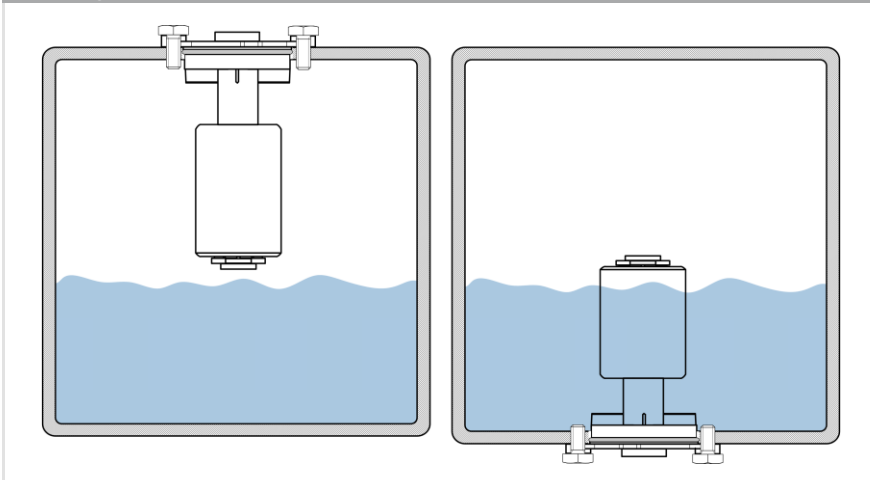


Remarks

When mounted near ferromagnetic parts switching distance of PLS-051B-6PPI may vary.

Electromagnetical influences and magnetic fields may change the switching behaviour of the Level Sensor.

Mounting



When mounted stem up, operating functions are reversed.