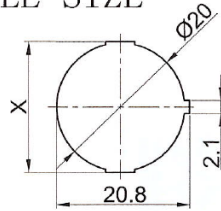


ABRR037 ROUND ROCKER SWITCH 12/24VDC AMBER LED ILLUMINATED

Specifications	ABRR037
Rating	12-24VDC
Lamp	Ambre LED 12/24VDC
Switch action	ON-OFF, SPST, 3P, LED illumination
Maximum contact resistance	30MΩ
Minimum insulation resistance	500VDC 100MΩ
Withstand voltage	AC 1500V 1min
Electrical life & lamp life	10,000 cycles at full load
Operation force	300-600gf
Operating temperature	-25°C~+125°C

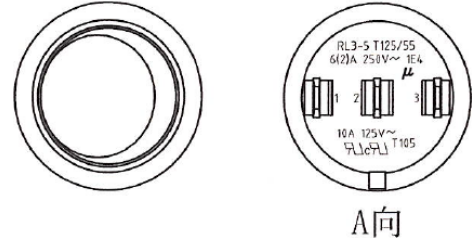
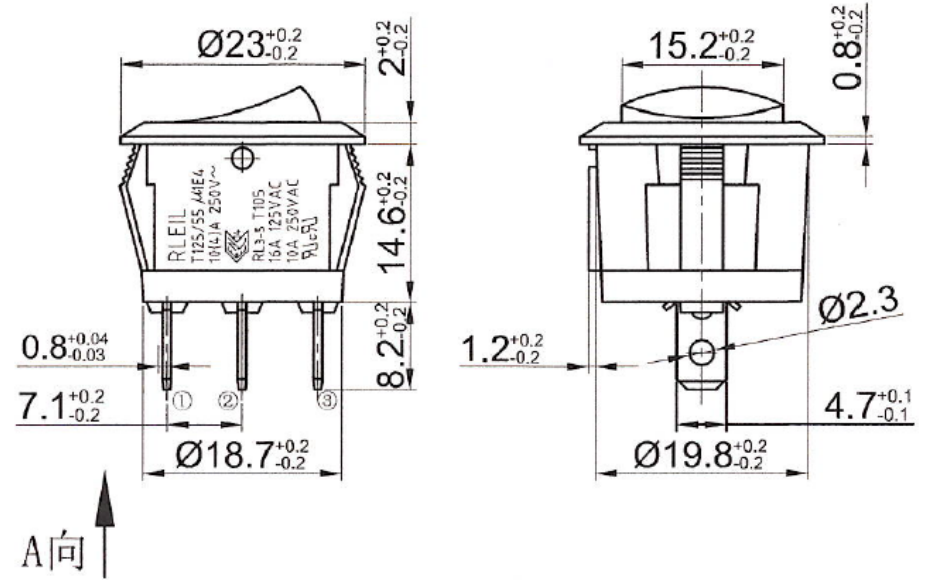
PANEL HOLE SIZE

Panel thickness	X
0.75-1.25	20.2
1.25-2.0	20.4
2.0-3.0	20.6

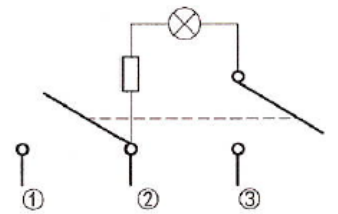


Features

- ROHS compliant
- Housing: Nylon #66 UL 94V-2
- Rocker: PC UL 94HB
- Illuminates at 12VDC 24VDC
- Terminal material: Copper alloy AG plated
- Contact material: AgSnO₂In₂O₃ (10) / Cu
- LED lamp life - 10,000 hours



CIRCUIT DIAGRAM



Alan Butcher Components Ltd
 Unit 1 Beechwood Clump Farm Industrial Estate Tin Pot Lane Blandford Dorset DT11 7TD
 Telephone 01258 456360 Email sales@abcomponents.co.uk
www.abcomponents.co.uk